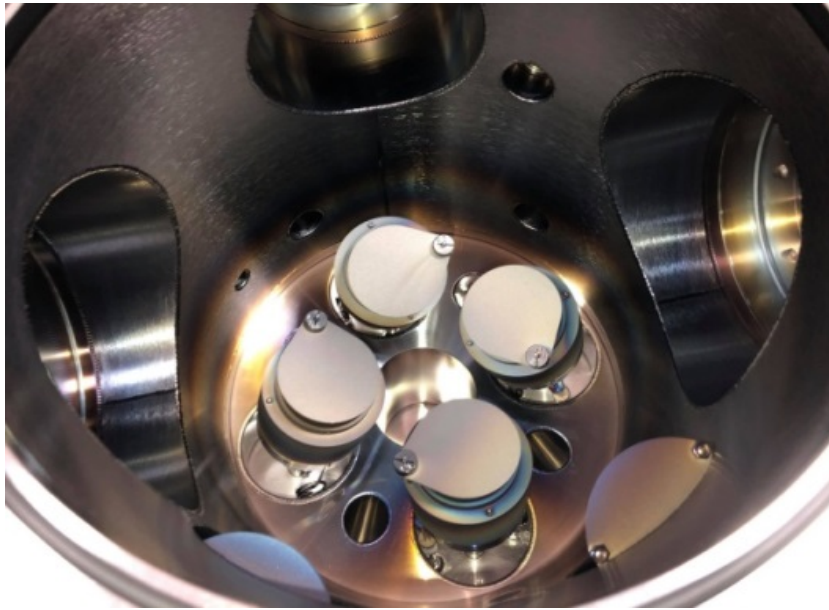
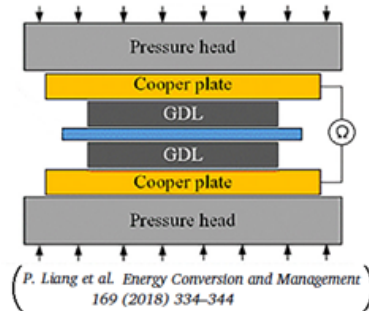


Results 2021



DC current measurements

Pt (mass %.)	Ti-Nb-Pt on AISI 446 (100W power, 2h)						Legend
	90,69	91,57	88,84	86,32	85,81		40,00
	90,01	89,06	87,27	83,44	83,09	80,38	81,78
	88,23	86,90	85,64	83,61	79,40	73,61	69,89
EDX data	77,87	82,23	77,99	75,01	71,71	69,74	59,77
	75,81	73,44	68,61	67,84	64,35	60,92	51,38
	67,53	64,59	46,95	52,97	49,92	42,75	40,31
	50,91	42,67	48,43	43,09	43,87		92,00



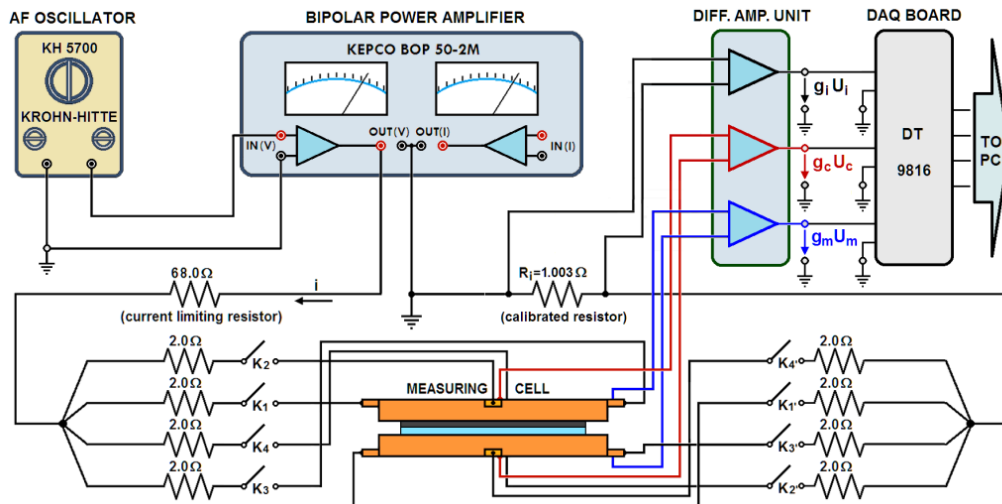
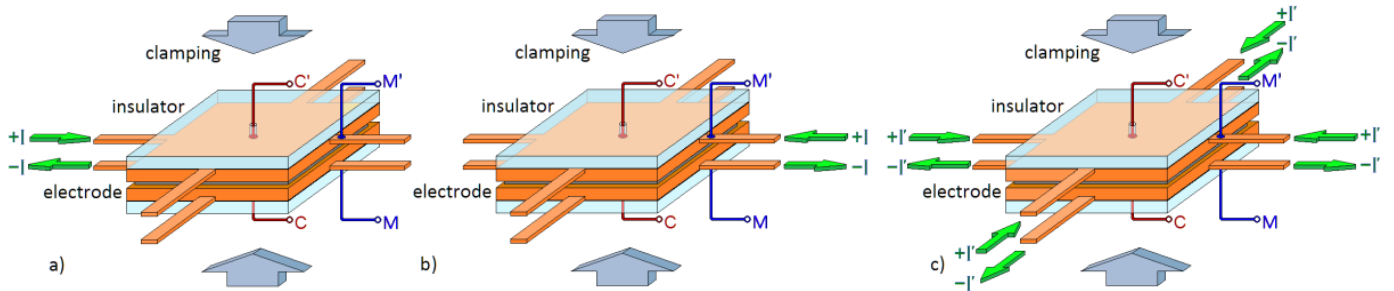
Higher Pt content

ICR [$m\Omega\text{ cm}^2$]						
117,00	53,90	46,70	166,80	148,00	138,90	172,00
117,70	78,70	63,10	141,90	57,50	73,80	176,50
25,28	152,20	181,70	209,00	208,00	216,00	439,00
196,00	236,10	216,10	181,50	164,30	286,00	428,00
350,00	240,40	316,00	498,00	316,00	237,00	347,00
343,00	284,00	221,00	320,40	378,00	266,00	317,30
339,00	293,00	232,00	333,50	223,00	252,00	177,00

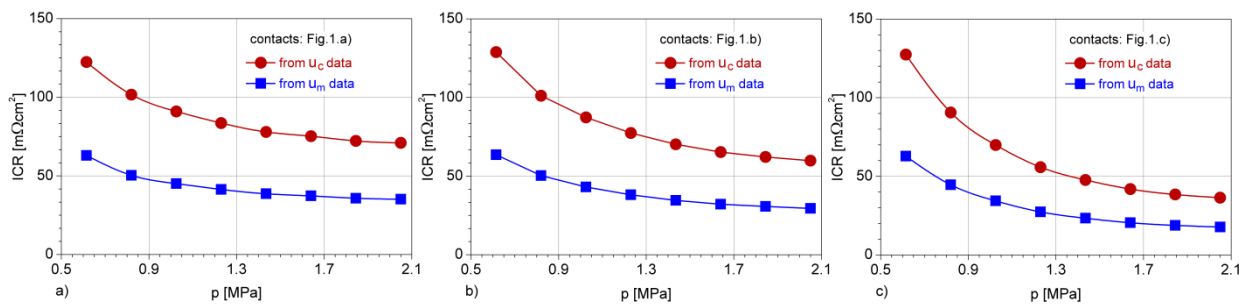
Higher Nb content

Higher Ti content

Equipment for generation of compositional spread libraries



Proposed experimental setup and principle for accurate ICR measurements



$ICR_{BPP-GDL}(p)$ dependence calculated from the experimental data

Joint Publications:

S. Lædre; C.Craciunescu; T. Khoza; N. Vasilcsin; A. Kellenberger; V. Bolocan; I.Mitelea; A. Ercuta - Issues Regarding Bipolar Plate-Gas Diffusion Layer Interfacial Contact Resistance Determination, submitted to Journal of Power Sources (Impact factor - 9.127).