



Anchorage of tower foundations in rock

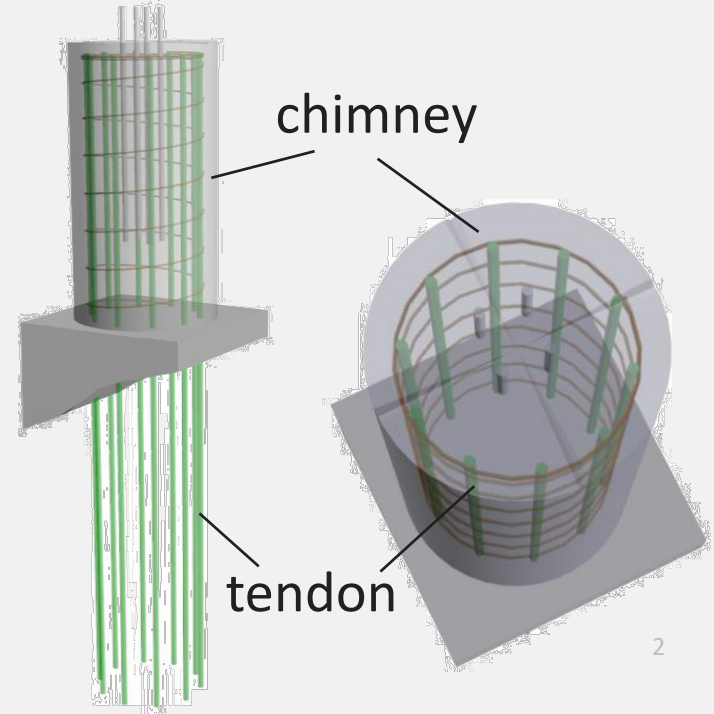
Classification of rock ground and design rules

Jessica Ka Yi Chiu, jessica.ka.yi.chiu@ngi.no

ROCARC-webinar 2020-11-18

Agenda

1. Background
2. Classification of rock ground
3. Design rules



NGI Statnett

**Anchorage of power line tower foundation on rock;
Classification of rock and design rules**

Tore Valstad^[1], Einar John Lande^[1,2] and Elin Katrine Morgan^[1]

^[1] Norwegian Geotechnical Institute (NGI), NO-0806 Oslo, Norway

^[2] Department of Civil and Transport Engineering –
Norwegian University of Science and Technology, NO-7491 Trondheim, Norway

John-Petter Sivertsen^[3]

^[3] Statnett SF, NO-0484 Oslo, Norway



**GEOVANCOUVER
2016**

Foundation of tower chimneys on rock

Statnett

Teknisk standard

Fundamentering av mastestabber på berg; Klassifisering av berggrunnen

Dokument ID:
Konfidensialitet:
Denne kopien ble lastet ned
Originaldokumentet kan ha blitt publisert i ny revisjon eller trukket tilbake etter at denne kopien ble lastet ned.
Gjeldende revisjon av dette dokumentet kan lastes ned her:
<http://samhandling.statnett.no/styrendedok/Dok.aspx?id=SDOK-82-3>

Arbeidsgruppe:
Ansvarlig:
Dokumenteier:
Verifisert:
Godkjent:
Planlagt revidert innen:

Statnett

Teknisk standard

Fundamentering av mastestabber på berg;
Dimensjoneringsregler

Dokument ID: [SDOK-82-3](#), revisjon: 5.0

Konfidensialitet: K1 For Statnetts interne bruk eller etter avtale med Statnett

Denne kopien ble lastet ned 06.02.2018 av [John-Petter Sivertsen](#).
Originaldokumentet kan ha blitt publisert i ny revisjon eller trukket tilbake etter at denne kopien ble lastet ned.
Gjeldende revisjon av dette dokumentet kan lastes ned her:
<http://samhandling.statnett.no/styrendedok/Dok.aspx?id=SDOK-82-3>

Arbeidsgruppe: [Seksjon for Mekanisk prosjektering \(UTLM\)](#)
Ansvarlig: [Leif Halvor Moen](#)
Dokumenteier: [Greta Bjørbeth](#)

Verifisert: 14.11.2016 av [Leif Halvor Moen](#)
Godkjent: 14.11.2016 av [Greta Bjørbeth](#)
Planlagt revidert innen: 14.11.2019

Nøkkelord: Master og fundamenter

- After a power line foundation failure in Sauda – Liastøl, NGI was employed by Statnett to develop a better procedure for rock ground investigation and designing of anchorage of power line tower foundation on rock.
- This resulted in two contract documents: «Classification of rock ground», which presents a procedure for classification of rock ground.
- «Design rules», which presents a procedure for determining bearing capacity of rock ground and required embedment depth of tendons in the tower chimneys based on rock class.

Load scenarios and loads on tower foundations

- ↴ Stretching of line
- ↴ Wind (50-year return period)
- ↴ Icing (150-year return period)

- ↴ Vertical compressional and tensile loads
- ↴ Horizontal forces
- ↴ (Moments)



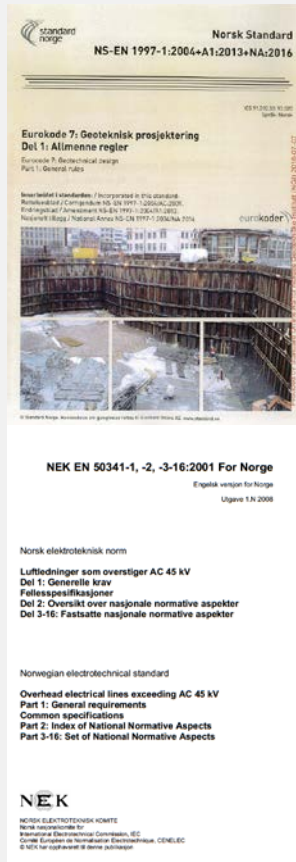
«Record» in icing on power line (22 kV), ca. 1.5 m ice that constituted ca. 300 kg/m line
Picture from Lønahorgi, 1961 (Olav Wist)

What is the purpose of these specification?

- To establish a safe practise for design of the tower foundations on rock ground, with focus on:
 - A. Bearing capacity on rock ground
 - B. Pull-out resistance of the rock ground



General information about the specifications



- General rules for design of overhead electric lines are given in NEK-EN 50341-1, and -3-16:2001 «Overhead electric lines exceeding AC 45 kV», however, this does not cover tower foundations in rock.
- Therefore the rules are based on Eurocode 7, NS-EN 1997-1:2004+A1:2013+NA:2016
- The main focus is on anchorage of the chimney foundations against pull-out forces, which is usually controlling the design.
- To be applied by consultants and contractors responsible for design and construction of power lines for Statnett.
- Based on a classification of the rock ground at the site.



Classification of rock ground

Table 1 Classification of rock ground

<i>Rock class</i>	<i>Designation</i>	<i>Description</i>
0	Massive rock	Intact rock or massive rock with a few widely spaced joints. The joint surfaces are unweathered and rough
1	Slightly jointed rock	Rock mass intersected by one or two sets of joints. The joints are well interlocked and unweathered. Joint surfaces are rough to planar.
2	Blocky rock	Rock mass intersected by two or three, sets of joint forming cubical blocks. Joints are well interlocked and unweathered. Joint surfaces are rough to planar.
3	Very blocky rock	Rock mass intersected by four or more joint sets. Joints are slightly interlocked or slightly weathered. Joints are planar or slightly filled with gauge material.
4	Disturbed or disintegrated rock	Rock mass with several joint sets. Joints are poorly interlocked, persistent or schistose. Joints may be planar or filled with gauge material.
<i>Remark</i>	The term "joint" is used herein as a common description of discontinuities in rock such as crack, fissure, shear, fault, bedding, etc.	



Table 1 Classification of rock ground

<i>Rock class</i>	<i>Designation</i>	<i>Description</i>
0	Massive rock	<u>Class 0 & Class 1</u> Sufficient tensile strength to withstand uplifting forces.
1	Slightly jointed rock	
2	Blocky rock	<u>Class 2 & Class 3</u> So low tensile strength that the uplifting forces can only be countered by shear resistance of joints and the weight of the rock lump between the embedded tendons.
3	Very blocky rock	
4	Disturbed or disintegrated rock	<u>Class 4</u> A concrete foundation in a blasted or excavated pit is cheaper than to reinforce the rock mass with tendons.



Classification criteria

Property	ROCK CLASS				
	0	1	2	3	4
	Massive	Slightly jointed	Blocky	Very blocky	Disturbed or disintegrated
Weathering	Grade 0 - 1 Fresh or slightly	Grade 0 - 1 Fresh or slightly	Grade 0 - 1 Fresh or slightly	Grade 0 - 1 Fresh or slightly	Grade 2, 3, 4 Moderate or higher
Unconfined compressive strength	Grade 0 - 2 $q_u > 100$ MPa	Grade 0 - 3 $q_u > 50$ MPa	Grade 0 - 4 $q_u > 25$ MPa	Grade 0 - 4 $q_u > 25$ MPa	Grade 0 - 6 $q_u < 25$ MPa
Number of joint sets	≤ 1 + random	≤ 2	≤ 3	≤ 3 + random	≥ 4
Joint spacing	Very wide ≥ 2000 mm	Wide or greater ≥ 600 mm	Medium or greater ≥ 200 mm	Close or greater ≥ 60 mm	Very close or less < 60 mm
Joint roughness	Rough, stepped or undulating	Rough, stepped or undulating	Rough, stepped, undulating or planar	Rough, smooth, stepped, undulating or, planar	Any roughness
Joint aperture	Tight or less ≤ 0.25 mm	Partly open or less ≤ 0.5 mm	Open or less ≤ 2.5 mm	Moderately wide or less ≤ 10 mm	Very wide or greater ≥ 10 mm
Joint filling	None	None	Granular material	Granular material	Clayey material

Example from Inner Oslofjord – reporting

➤ Results of classification (for each tower leg)

Property	ROCK CLASS				
	0	1	2	3	4
	Massive	Slight jointed	Blocky	Very blocky	Disturbed or disintegrated
Weathering	Grade 0 - 1 Fresh or slightly	Grade 0 - 1 Fresh or slightly	Grade 0 - 1 Fresh or slightly	Grade 0 - 1 Fresh or slightly	Grade 2, 3, 4 Moderate or higher
Unconfined compressive strength	Grade 0 - 2 $q_u > 100$ MPa	Grade 0 - 3 $q_u > 50$ MPa	Grade 0 - 4 $q_u > 25$ MPa	Grade 0 - 4 $q_u > 25$ MPa	Grade 0 - 6 $q_u < 25$ MPa
Number of joint sets	≤ 1 + random	≤ 2	≤ 3	≤ 3 + random	≥ 4
Joint spacing	Very wide ≥ 2000 mm	Wide or greater ≥ 600 mm	Medium or greater ≥ 200 mm	Close or greater ≥ 60 mm	Very close or less < 60 mm
Joint roughness	Rough, stepped or undulating	Rough, stepped or undulating	Rough, stepped, undulating or planar	Rough, smooth, stepped, undulating or, planar	Any roughness
Joint aperture	Tight or less ≤ 0.25 mm	Partly open or less ≤ 0.5 mm	Open or less ≤ 2.5 mm	Moderate wide or less ≤ 10 mm	Very wide or greater ≥ 10 mm
Joint filling	None	None	Granular material	Granular material	clayey material

Design investigations (2)

- ↗ For Class 2 & Class 3:
- ↗ Fractured and weathered surface rock may be removed, then undertake **new classification**.
- ↗ Hydraulic hammer are well suited in removal of surface rock.
- ↗ Blasting of surface rock will seldom be appropriate. The base charge often tears up the rock and create new joints.



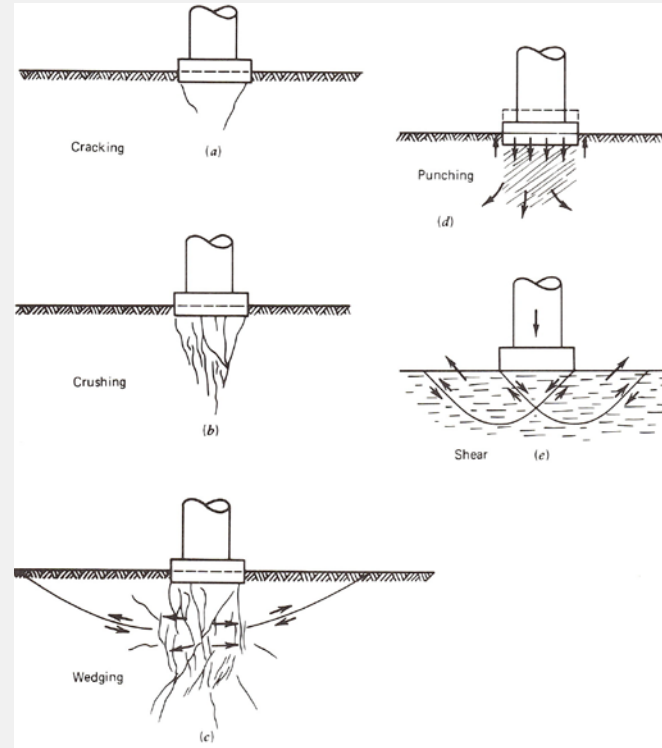


Design rules

Chimney foundation design - general requirements

➤ Design of chimney foundations comprise two main tasks:

1. Check that bearing capacity of the rock ground are adequate against **design compressional loads** from the chimney.



Possible modes of failure at ultimate bearing capacity of foundation rock (Goodman 1989)

Chimney foundation design - general requirements

- Design of chimney foundations comprise two main tasks:
 2. Check that the anchorage in rock has adequate resistance (capacity) against **design tensile forces from chimney.**

Strength parameters of rock mass

Tabell 1 Karakteristiske og dimensjonerende fasthetsparametere for berggrunnen
Table 1 Characteristic and design strength parameters of rock mass

Fasthetsparameter Strength Parameter	Bergklasse / Rock Class			
	0	1	2	3
Enaksial trykkfasthet i intakt berg, $q_{u,k}$ Unconfined compressive strength of intact rock, $q_{u,k}$ MPa	100	50	25	25
Strekkfasthet av bergmassen, $T_{0,k}$ Tensile strength of the rock mass, $T_{0,k}$ MPa	4.0	0.81	0.17	0.06
Bæreevne av berggrunnen, q_{ad} Bearing capacity of rock mass, q_{ad} MPa	71.4	16.4	5.0	3.1
Dimensjonerende strekkfasthet av bergmassen, T_{0d} Design tensile strength of rock mass, T_{0d}	2.0	0.40	0.085	0.03
Dimensjonerende heftfasthet i berggrunnen og i forankring berg / mørtel, f_{brd} Design bond strength in rock mass and in anchorage rock/mortar, f_{brd} MPa	1.97	1.4	1.0	0.7
Dimensjonerende heftfasthet mørtel/stag; B35, $f_{bcd}^{[1]}$ Design bond strength mortar/tendon; B35, f_{bcd} MPa	1.97	1.97	1.97	1.97

^[1] Bestemt iht. NS-EN 1992-1 for terningfasthet, $f_{ck} = 45$ MPa /
According to NS-EN 1992-1 for cube strength, $f_{ck} = 45$ MPa

How to determine bearing capacity of the rock ground?

- Characteristic values for bearing capacity of rock class (0-3)
- Bearing capacity based on the UCCS of intact rock, joint spacing, joint aperture.
- Characteristic strength values of rock ground estimated based on classification criteria, using the Hoek & Brown failure criterion.
- Boundary limits between the rock classes and engineering judgements

Bearing capacity of foundation rock

Presumptions:

- I. Only effective area of the chimney can transfer compressive force to bedrock (= inner diameter of hoop reinforcement)
- II. Design compression capacity of tendons, $f_{yd} = 400$ Mpa.
- III. Design compressive strength of concrete, $f_{cd} = 19,8$ Mpa
- IV. Concrete cover = 50 mm.
- V. Diameter hoop reinforcement 10 mm.



Bearing capacity of foundation rock

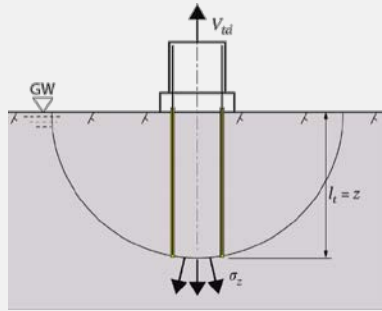
- For rock class 0 and 1, the bearing capacity is limited by the reinforced chimney, i.e steel and concrete.
- For rock class 2 and 3 the bearing capacity is limited by capacity of rock mass and steel tendons.

Tabell 2 Dimensjonerende bæreevne av berggrunnen; stabbe type I, II og III
 Table 2 Design bearing capacity of bedrock; chimney type I, II and III

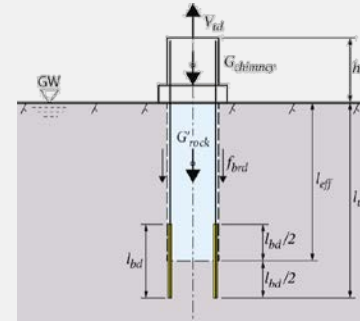
Type	Diameter	Stabbe / Chimney				Dim. bæreevne / Design bearing capacity			
		Lengdearmoring / reinforcement		Kapitet/ capacity, $R_{td}^{(1)}$	Eff. areal betong/ Net area concrete	Bergklasse / rock class			
		Ø stag / bar	Antall stag / number of tendons			0	1	2	3
mm	mm	-	kN	mm ²	kN	kN	kN	kN	
I	600	25	6	1178	180 956	4 761	4 761	1 794	1 377
			8	1571		5 154	5 154	2 186	1 770
			10	1964		5 547	5 547	2 579	2 163
			12	2357		5 940	5 940	2 972	2 556
			14	2750		6 333	6 333	3 365	2 949
I	600	32	6	1930	180 956	5 513	5 513	2 545	2 129
			8	2573		6 156	6 156	3 188	2 772
			10	3216		6 799	6 799	3 831	3 415
			12	3859		7 442	7 442	4 474	4 058
			14	4502		8 085	8 085	5 118	4 701
II	750	25	6	1178	311 725	7 351	7 351	2 238	1 521
			8	1571		7 743	7 743	2 631	1 914
			10	1964		8 136	8 136	3 024	2 307
			12	2357		8 529	8 529	3 417	2 700
			14	2750		8 922	8 922	3 809	3 092
			16	3142		9 315	9 315	4 202	3 485
			18	3535		9 707	9 707	4 595	3 878
II	750	32	6	1930	311 725	8 102	8 102	2 989	2 272
			8	2573		8 745	8 745	3 633	2 916
			10	3216		9 388	9 388	4 276	3 559
			12	3859		10 031	10 031	4 919	4 202
			14	4502		10 675	10 675	5 562	4 845
			16	5146		11 318	11 318	6 205	5 488
			18	5789		11 961	11 961	6 849	6 132
III	1000	25	6	1178	608 212	13 221	13 221	3 246	1 847
			8	1571		13 614	13 614	3 639	2 240
			10	1964		14 007	14 007	4 032	2 633
			12	2357		14 399	14 399	4 425	3 026
			14	2750		14 792	14 792	4 818	3 419
			16	3142		15 185	15 185	5 210	3 811
			18	3535		15 578	15 578	5 603	4 204
			20	3928		15 971	15 971	5 996	4 597
			22	4321		16 363	16 363	6 389	4 990
			24	4714		16 756	16 756	6 782	5 383
			26	5106		17 149	17 149	7 174	5 775
			28	5499		17 542	17 542	7 567	6 168
			III	1000		32	6	1930	608 212
8	2573	14 615			14 615		4 641	3 242	
10	3216	15 259			15 259		5 284	3 885	
12	3859	15 902			15 902		5 927	4 528	
14	4502	16 545			16 545		6 570	5 171	
16	5146	17 188			17 188		7 214	5 815	
18	5789	17 831			17 831		7 857	6 458	
20	6432	18 475			18 475		8 500	7 101	
22	7075	19 118			19 118		9 143	7 744	
24	7718	19 761			19 761		9 786	8 387	
26	8362	20 404			20 404		10 430	9 030	
28	9005	21 047			21 047		11 073	9 674	

⁽¹⁾ R_{td} = Dimensjonerende motstand i ståltvernsnitt stag med dim. flytekapasitet $f_{td} = 400 \text{ N/mm}^2$ / Design resistance of tendon cross section for design yield strength $f_{td} = 400 \text{ N/mm}^2$.

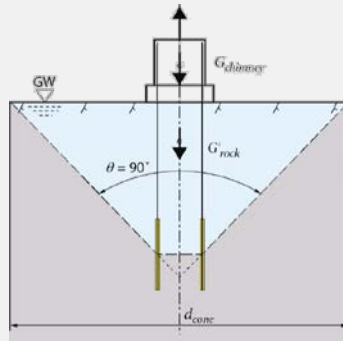
Computational models for pull-out resistance in rock



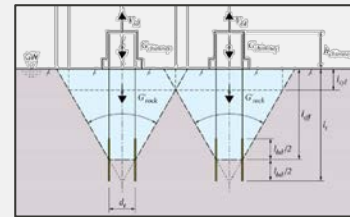
1. Tensile strength model (rock class 0-1)



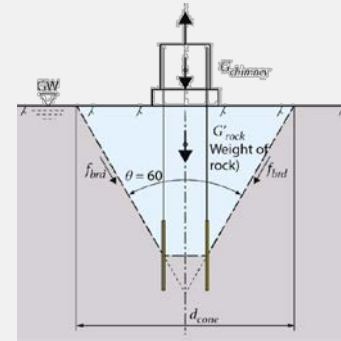
2. Pull-out cylinder shaft (rock class 1-2)



3. Weight of cone (rock class 2-3)



For long embedded tendons



4. Combined weight of cone and bond strength (rock class 2-3)

Required embedment depth of tendons

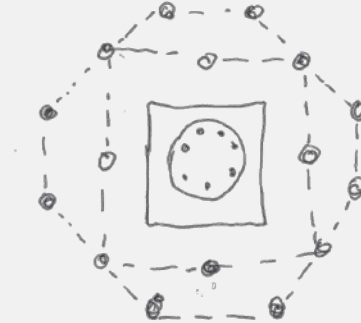
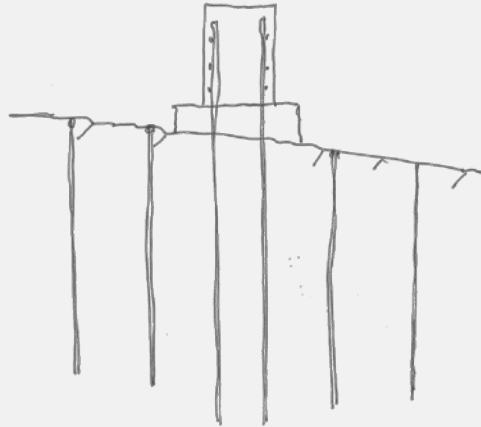
CHIMNEY										FORANKRINGSDYBDE BERG / EMBEDMENT DEPTH OF TENDONS IN BEDROCK																									
Type	Outer diameter mm	Reinforcement				R _{td} kN	Bond resistance												Tensile Strength Criterion				Shaft Friction Criterion				Gravity & Bond Criterion			Gravity criterion	Summary				
		Cover mm	Ø-bar mm	Ø-hoop mm	Number of bars		R _{rod}	R _{rod}				Rock Class				Rock Class				Rock class			Rock Class												
								0	1	2	3	0	1	2	3	0	1	2	3	1	2	3	0	1	2	3									
I	600	50	25	10	6	1 178	1 270	910	1 280	1 790	2 550	530	1 190	2 570	4 330	460	650	920	920	1 350	1 450	1 600	4 500	1 270	1 350	1 790	2 550								
					8	1 571	1 270	910	1 280	1 790	2 550	610	1 370	2 970	5 000	610	870	1 230	1 230	1 450	1 600	1 750	4 850	1 600	1 450	1 790	2 550								
					10	1 964	1 270	910	1 280	1 790	2 550	680	1 530	3 320	5 590	770	1 090	1 540	1 540	1 550	1 700	1 900	5 200	1 270	1 550	1 790	2 550								
					12	2 357	1 270	910	1 280	1 790	2 550	750	1 680	3 640	6 120	920	1 300	1 840	1 840	1 650	1 800	2 000	5 500	1 270	1 680	1 840	2 550								
					14	2 750	1 270	910	1 280	1 790	2 550	810	1 810	3 930	6 620	1 080	1 520	2 150	2 150	1 750	1 900	2 100	5 750	1 270	1 810	2 150	2 550								
					16	3 142	1 270	910	1 280	1 790	2 550	870	1 940	4 200	7 070	940	1 320	1 870	1 870	1 650	2 000	2 200	5 950	1 270	1 940	2 000	2 550								
	I	600	50	32	10	6	1 930	1 620	1 300	1 830	2 560	3 660	680	1 520	3 290	5 540	570	1 070	1 510	1 700	1 900	2 100	5 350	1 620	1 830	2 560	3 660								
						8	2 573	1 620	1 300	1 830	2 560	3 660	780	1 750	3 800	6 400	1 010	1 420	2 010	2 010	1 850	2 250	5 850	1 620	1 850	2 560	3 660								
						10	3 216	1 620	1 300	1 830	2 560	3 660	880	1 960	4 250	7 150	1 260	1 780	2 520	2 520	1 950	2 150	2 400	6 250	1 620	1 960	2 560	3 660							
						12	3 859	1 620	1 300	1 830	2 560	3 660	960	2 150	4 660	7 840	1 150	2 140	3 020	3 020	2 050	2 300	2 550	6 600	1 620	2 150	3 020	3 660							
						14	4 502	1 620	1 300	1 830	2 560	3 660	1 040	2 320	5 030	8 470	1 170	2 490	3 520	3 520	2 150	2 400	2 700	6 900	1 620	2 490	3 520	3 660							
						16	5 145	1 620	1 300	1 830	2 560	3 660	1 120	2 490	5 400	9 000	1 190	2 640	3 650	3 650	2 150	2 400	2 700	7 500	1 620	2 640	3 650	3 660							
II	750	50	25	10	6	1 178	1 270	910	1 280	1 790	2 550	530	1 190	2 570	4 330	350	500	700	1 350	1 450	1 600	4 400	1 270	1 350	1 790	2 550									
					8	1 571	1 270	910	1 280	1 790	2 550	610	1 370	2 970	5 000	470	660	940	940	1 450	1 600	1 750	4 800	1 270	1 450	1 790	2 550								
					10	1 964	1 270	910	1 280	1 790	2 550	680	1 530	3 320	5 590	590	830	1 170	1 170	1 550	1 700	1 900	5 100	1 270	1 550	1 790	2 550								
					12	2 357	1 270	910	1 280	1 790	2 550	750	1 680	3 640	6 120	700	990	1 410	1 410	1 650	1 800	2 000	5 450	1 270	1 680	1 800	2 550								
					14	2 750	1 270	910	1 280	1 790	2 550	810	1 810	3 930	6 620	820	1 160	1 640	1 640	1 750	1 900	2 100	5 700	1 270	1 810	1 900	2 550								
					16	3 142	1 270	910	1 280	1 790	2 550	870	1 940	4 200	7 070	940	1 320	1 870	1 870	1 650	2 000	2 200	5 950	1 270	1 940	2 000	2 550								
	II	750	50	32	10	6	1 930	1 620	1 300	1 830	2 560	3 660	680	1 520	3 290	5 540	580	810	1 150	1 150	1 700	1 900	2 100	5 300	1 620	1 830	2 560	3 660							
						8	2 573	1 620	1 300	1 830	2 560	3 660	780	1 750	3 800	6 400	770	1 090	1 530	1 530	1 850	2 000	2 250	5 750	1 620	1 850	2 560	3 660							
						10	3 216	1 620	1 300	1 830	2 560	3 660	880	1 960	4 250	7 150	960	1 360	1 920	1 920	1 950	2 150	2 400	6 150	1 620	1 960	2 560	3 660							
						12	3 859	1 620	1 300	1 830	2 560	3 660	960	2 150	4 660	7 840	1 150	1 630	2 300	2 300	2 050	2 300	2 550	6 500	1 620	2 150	2 560	3 660							
						14	4 502	1 620	1 300	1 830	2 560	3 660	1 040	2 320	5 030	8 470	1 140	1 900	2 680	2 680	2 150	2 400	2 700	6 800	1 620	2 320	2 680	3 660							
						16	5 146	1 620	1 300	1 830	2 560	3 660	1 110	2 480	5 380	9 050	1 130	2 170	3 070	3 070	2 250	2 500	2 850	7 100	1 620	2 480	3 070	3 660							
III	1000	50	25	10	6	1 178	1 270	910	1 280	1 790	2 550	530	1 190	2 570	4 330	250	360	500	500	1 350	1 450	1 600	4 250	1 270	1 350	1 790	2 550								
					8	1 571	1 270	910	1 280	1 790	2 550	610	1 370	2 970	5 000	340	470	670	670	1 450	1 600	1 750	4 650	1 270	1 450	1 790	2 550								
					10	1 964	1 270	910	1 280	1 790	2 550	680	1 530	3 320	5 590	420	590	840	840	1 550	1 700	1 900	5 000	1 270	1 550	1 790	2 550								
					12	2 357	1 270	910	1 280	1 790	2 550	750	1 680	3 640	6 120	500	710	1 010	1 010	1 650	1 800	2 000	5 300	1 270	1 680	1 800	2 550								
					14	2 750	1 270	910	1 280	1 790	2 550	810	1 810	3 930	6 620	590	830	1 170	1 170	1 750	1 900	2 100	5 550	1 270	1 810	1 900	2 550								
					16	3 142	1 270	910	1 280	1 790	2 550	870	1 940	4 200	7 070	590	830	1 170	1 170	1 650	2 000	2 200	5 900	1 270	1 940	2 000	2 550								
	III	1000	50	32	10	6	1 930	1 620	1 300	1 830	2 560	3 660	680	1 520	3 290	5 540	410	560	820	820	1 700	1 900	2 100	5 150	1 620	1 830	2 560	3 660							
						8	2 573	1 620	1 300	1 830	2 560	3 660	780	1 750	3 800	6 400	550	780	1 100	1 100	1 850	2 000	2 250	5 650	1 620	1 850	2 560	3 660							
						10	3 216	1 620	1 300	1 830	2 560	3 660	880	1 960	4 250	7 150	690	970	1 370	1 370	1 950	2 150	2 400	6 050	1 620	1 960	2 560	3 660							
						12	3 859	1 620	1 300	1 830	2 560	3 660	960	2 150	4 660	7 840	820	1 160	1 650	1 650	2 050	2 300	2 550	6 400	1 620	2 150	2 560	3 660							
						14	4 502	1 620	1 300	1 830	2 560	3 660	1 040	2 320	5 030	8 470	960	1 360	1 920	1 920	2 150	2 400	2 700	6 700	1 620	2 320	2 680	3 660							
						16	5 146	1 620	1 300	1 830	2 560	3 660	1 110	2 480	5 380	9 050	1 100	1 550	2 200	2 200	2 250	2 500	2 850	7 000	1 620	2 480	2 680	3 660							

R_{td} - Design resistance of tendon cross section for design yield strength f_{td} = 400 N/mm²
 R_{rod} - Design bond resistance between tendon and mortar
 R_{rod} - Design bond resistance between mortar and rock mass
 γ_r - Effective weight of rock mass is assumed to be 17 kN/m³
 Color codes: 1250 Min. bond length, 50 x Ø-bar; 460 Bond resistance tendon-mortar; 910 Bond resistance mortar-rock; 530 Tensile strength criterion; 1600 Gravity + bond strength criterion; 4500 Gravity criterion



Ground improvement

- ↗ For Class 2 & Class 3:
- ↗ As an alternative to long tendons, the rock may be reinforced around the chimney to engage lateral rock mass instead of at depth.



Monitoring of permanent post-tensioned rock anchors

Surveillance d'ancrages permanents en post-tension dans la roche

E.J. Lande

Norwegian Geotechnical Institute, Oslo, Norway

Norwegian University of Science and Technology (NTNU), Trondheim, Norway

T. Valstad, E. Stein and J.M. Josefsen

Norwegian Geotechnical Institute, Oslo, Norway

I. Brovold

Statnett SF, Oslo, Norway



- ↗ Measurement once a year by Statnett
- ↗ Condition control and assess the need for future tensioning
- ↗ R&D: to gain more knowledge on the long-term behavior and hopefully improve the current design methodology for anchors in **strong rock types**.
- ↗ At least 10 years' monitoring (post-tensioning 13 September, 2017)

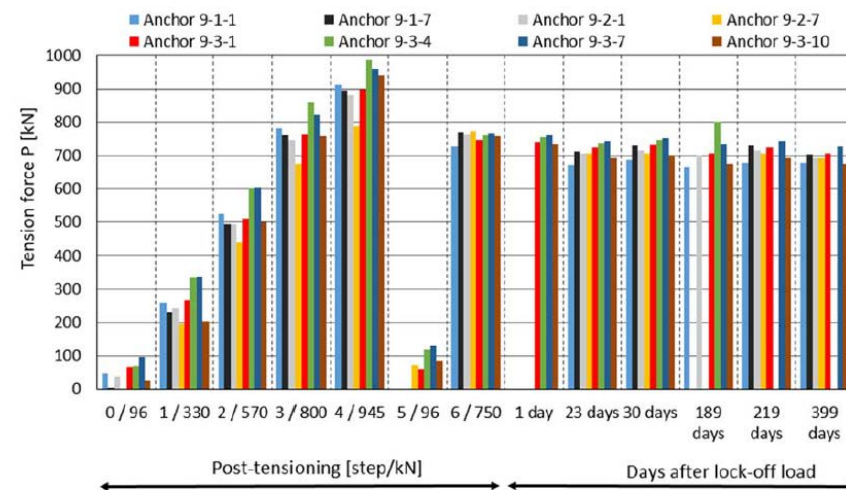


Figure 7. Tension force P in rock anchors measured with load cells on anchor head. Results from post-tensioning steps 0 to 6 (left side), and the first 399 days after lock-off load (right side).

Design pylon, Lysefjorden ([read more](#))



Thank you!



#påsikkergrunn